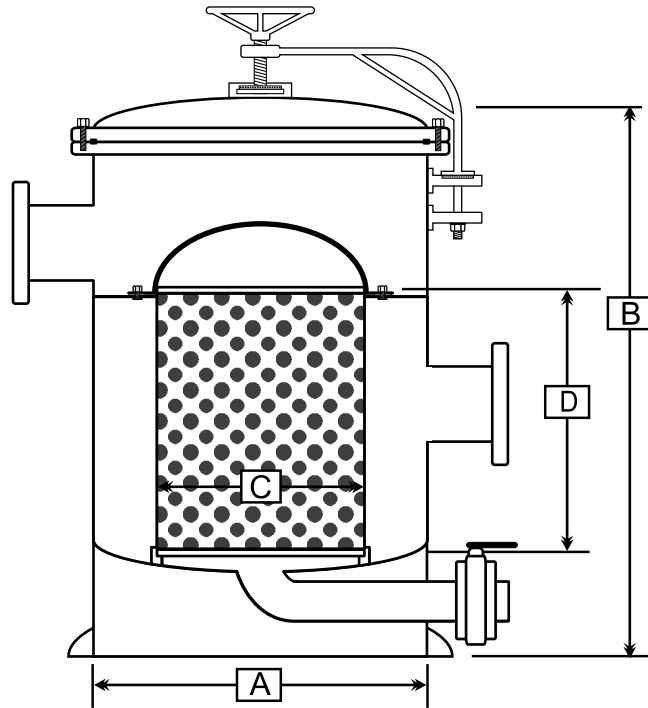
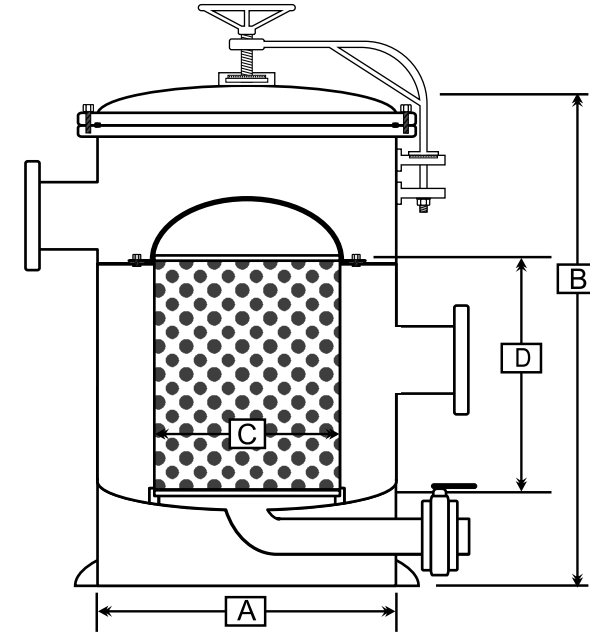


RAPID STRAIN

MODEL - A



MODEL - B



SPECIFICATIONS

LINE SIZE (NB)	65	80	100	125	150	200	250	300	350	400	450	500	600
"A" POT DIA.	300	350	450	500	540	610	800	1000	1190	1350	1518	1690	2000
"B" POT HT.	400	450	500	600	700	815	955	1105	1300	1500	1700	1800	2200
"C" ELE. DIA.	200	250	300	330	360	400	550	750	895	1020	1060	1100	1500
"D" ELE. HT.	240	250	280	340	390	470	510	580	678	785	890	900	1160

MATERIALS OF CONSTRUCTION

MAIN BODY & TOP COVER	FABRICATED OUT OF M.S. PLATE CONFORMING TO IS:2062 OR 251 (NEW GRADE).
BASKET	STAINLESS STEEL S.S. 304,18SWG WITH 3mm HOLE DIA PERFORATION
"O" RING/GASKET	SYNTHETIC / COMPRESSED NON ASBESTOS
INLET / OUTLET	PIPE ERW "C" CLASS CONFORMING TO IS:1239 PART-1
FLANGES	CONFORMING TO BS-10, TABLE "E"
DEVIT ATT.	BEARING LOADED
DRAIN	DRAIN PIPE PROVIDED

SPECIFICATIONS

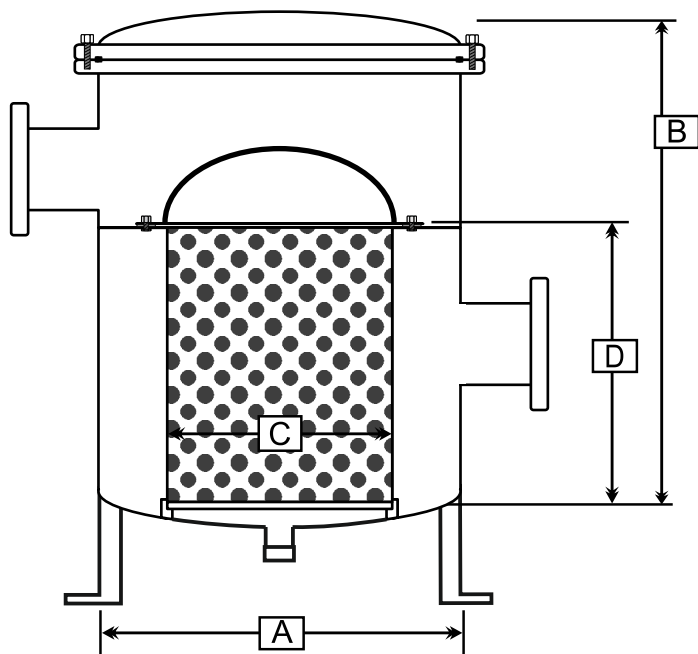
LINE SIZE (NB)	65	80	100	125	150	200	250	300	350	400	450	500	600
"A" POT DIA.	200	250	300	350	405	510	620	835	920	1111	1225	1380	1475
"B" POT HT.	300	350	400	450	500	600	700	815	955	1105	1300	1500	1700
"C" ELE. DIA.	120	170	220	270	325	430	520	700	800	900	1000	1000	1200
"D" ELE. HT.	180	200	240	250	280	340	390	470	510	580	678	785	890

MATERIALS OF CONSTRUCTION

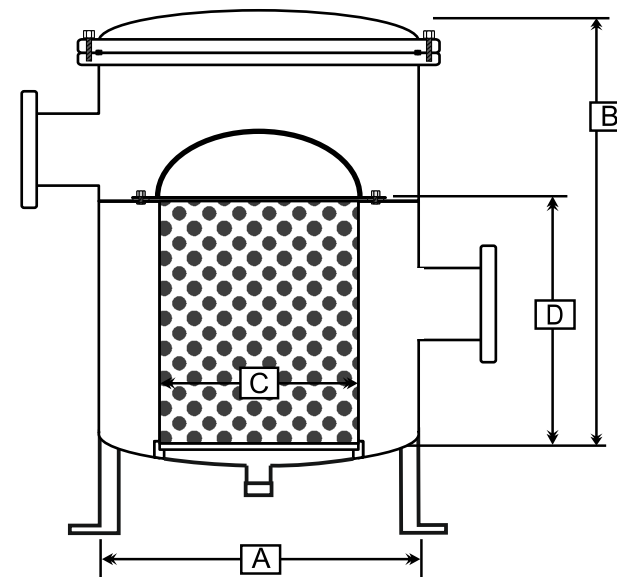
MAIN BODY & TOP COVER	FABRICATED OUT OF M.S. PLATE CONFORMING TO IS:2062 OR 251 (NEW GRADE).
BASKET	STAINLESS STEEL S.S. 304,18SWG WITH 3mm HOLE DIA PERFORATION
"O" RING/GASKET	SYNTHETIC / COMPRESSED NON ASBESTOS
INLET / OUTLET	PIPE ERW "C" CLASS CONFORMING TO IS:1239 PART-1
FLANGES	CONFORMING TO BS-10, TABLE "E"
DEVIT ATT.	BEARING LOADED
DRAIN	DRAIN PIPE PROVIDED

RAPID STRAIN

MODEL - C



MODEL - D



SPECIFICATIONS

LINE SIZE (NB)	65	80	100	125	150	200	250	300	350	400	450	500
"A" POT DIA.	145	175	230	285	345	405	460	520	575	690	745	805
"B" POT HT.	300	350	400	450	500	600	700	815	955	1105	1300	1500
"C" ELE. DIA.	60	90	145	200	260	320	380	440	475	590	640	700
"D" ELE. HT.	170	190	220	230	260	320	370	450	490	560	660	765

MATERIALS OF CONSTRUCTION

MAIN BODY & TOP COVER	FABRICATED OUT OF M.S. PLATE CONFORMING TO IS:2062 OR 251 (NEW GRADE).
BASKET	STAINLESS STEEL S.S. 304,18SWG WITH 3mm HOLE DIA PERFORATION
"O" RING/GASKET	SYNTHETIC / COMPRESSED NON ASBESTOS
INLET / OUTLET	PIPE ERW "C" CLASS CONFORMING TO IS:1239 PART-1
FLANGES	CONFORMING TO BS-10, TABLE "E"
DRAIN	SOCKET PROVIDED

SPECIFICATIONS

LINE SIZE (NB)	65	80	100	125	150	200	250	300	350	400	450	500
"A" POT DIA.	145	160	180	205	230	280	330	380	430	500	550	600
"B" POT HT.	250	300	350	400	470	575	700	800	890	890	1150	1300
"C" ELE. DIA.	65	80	100	125	150	200	250	300	350	400	450	500
"D" ELE. HT.	80	100	125	150	175	250	300	350	390	390	500	550

MATERIALS OF CONSTRUCTION

MAIN BODY & TOP COVER	FABRICATED OUT OF M.S. PLATE CONFORMING TO IS:2062 OR 251 (NEW GRADE).
BASKET	STAINLESS STEEL S.S. 304,18SWG WITH 3mm HOLE DIA PERFORATION
"O" RING/GASKET	SYNTHETIC / COMPRESSED NON ASBESTOS
INLET / OUTLET	PIPE ERW "C" CLASS CONFORMING TO IS:1239 PART-1
FLANGES	CONFORMING TO BS-10, TABLE "E"
DRAIN	SOCKET PROVIDED